

**FEATURES**

- 100 mm<sup>2</sup> Square Active Area
- Responsivity @ 40 nm 0.15 A/W
- Detection Range 18 nm to 80 nm
- Shipped with Protective Cover

**Electro-Optical Characteristics at 25°C**

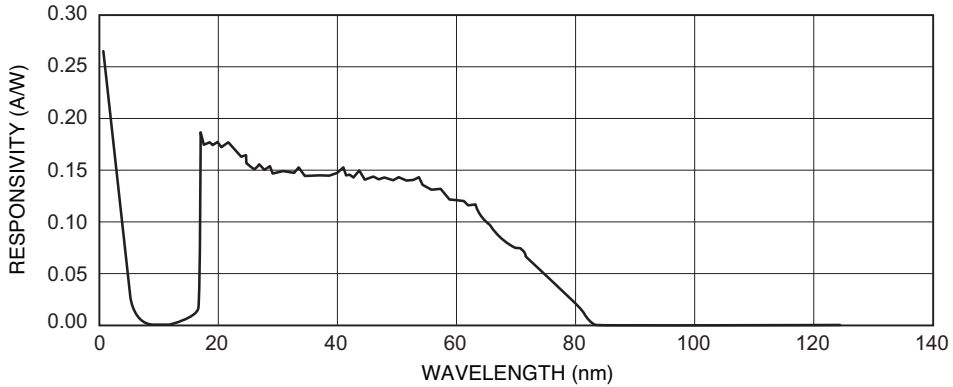
Parameters	Test Conditions	Min	Typ	Max	Units
Active Area	10 mm x 10 mm		100		mm <sup>2</sup>
Responsivity	@ 40 nm		0.15		A/W
Shunt Resistance, Rsh	@ ±10 mV	20			Ohms
Reverse Breakdown Voltage, V <sub>R</sub>	I <sub>R</sub> = 1 µA	5	10		Volts
Capacitance, C	V <sub>R</sub> = 0 V		10	44	nF

**Thermal Parameters**

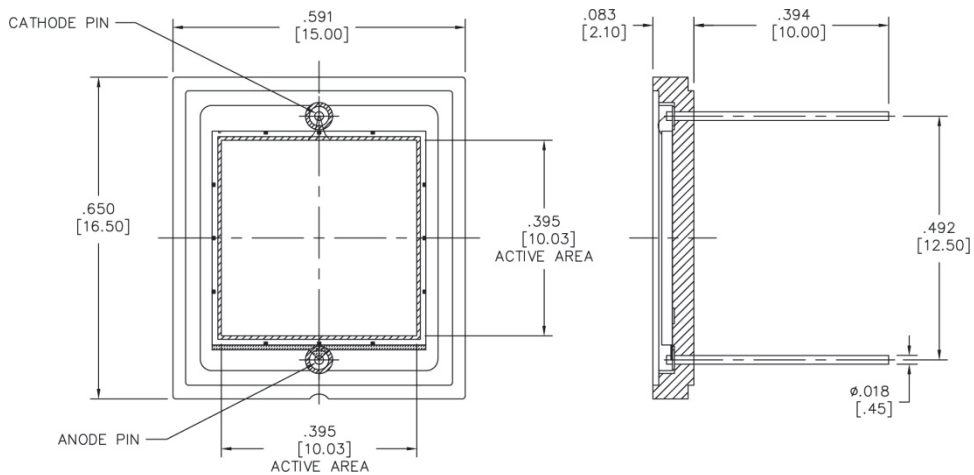
Storage and Operating Temperature Range	Units
Ambient	-10° to 40°C
Nitrogen or Vacuum	-20 to 80°C
Lead Soldering Temperature*	260°C

\*0.080" from case for 10 seconds.

**Typical Responsivity at 25°C**



**Package Information**



Dimensions are in inch [metric] units.

Specifications are subject to change without prior notice.