

**FEATURES**

- Circular Active Area
- TO-5 package
- Excellent Stability after EUV Exposure
- Windowless Package for Responsivity to 1 nm

**Electro-Optical Characteristics at 25°C**

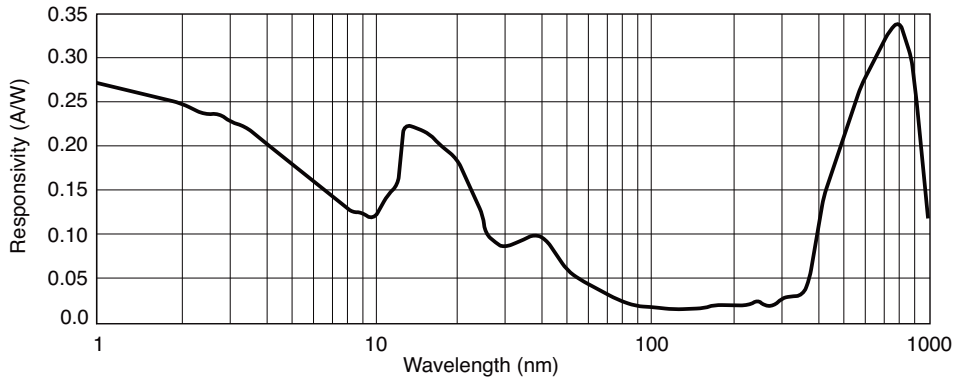
Parameters	Test Conditions	Min	Typ	Max	Units
Active Area	2.5 diameter		5		mm <sup>2</sup>
Responsivity	(see graph on next page)				
Shunt Resistance, Rsh	@ ±10 mV	20			MOhms
Reverse Breakdown Voltage, V <sub>R</sub>	I <sub>R</sub> = 1 μA	5	20		Volts
Capacitance, C	V <sub>R</sub> = 0 V		500	1500	pF
Response Time, tr	RL = 50 Ω, V <sub>R</sub> = 0 V		1	2	usec

**Thermal Parameters**

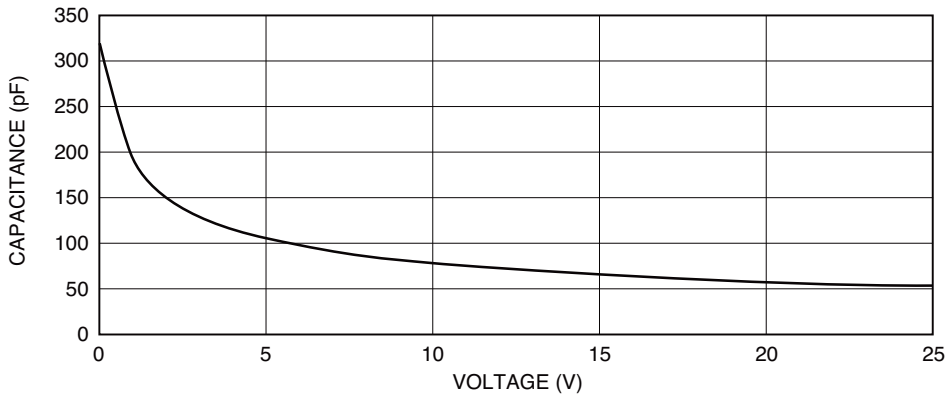
Storage and Operating Temperature Range	Units
Ambient	-10°C to 40°C
Nitrogen or Vacuum	-20°C to 80°C
Lead Soldering Temperature <sup>1</sup>	260°C

<sup>1</sup> 0.08" from case for 10 seconds.

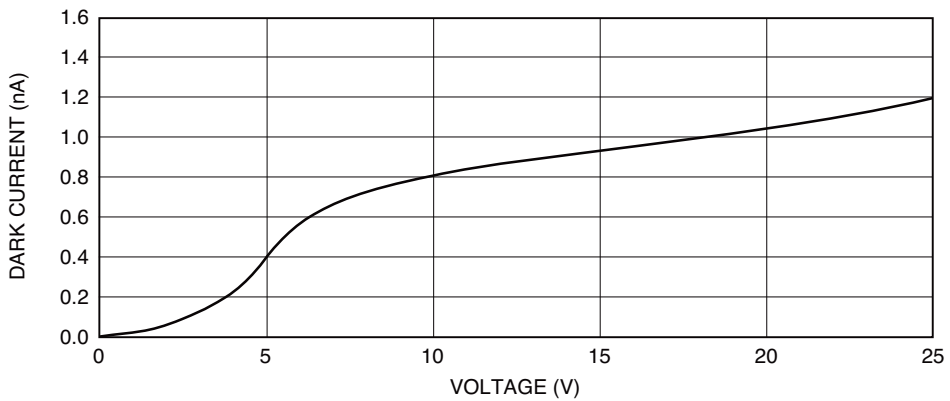
**Typical Photon Responsivity**



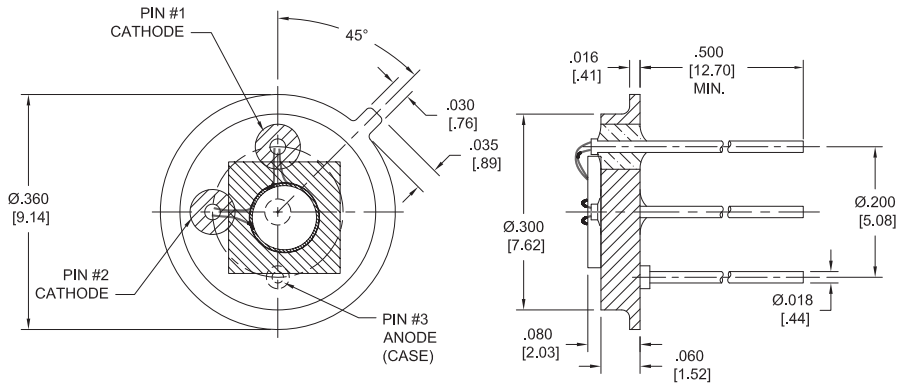
**Capacitance vs. Voltage**



**Dark Current vs. Voltage**



Package Information



Dimensions are in inches [metric] units.

Specifications are subject to change without prior notice.