

**FEATURES**

- TO-5, 5 Pin Package
- Windowless Package

**Electro-Optical Characteristics at 25°C (Per Element)**

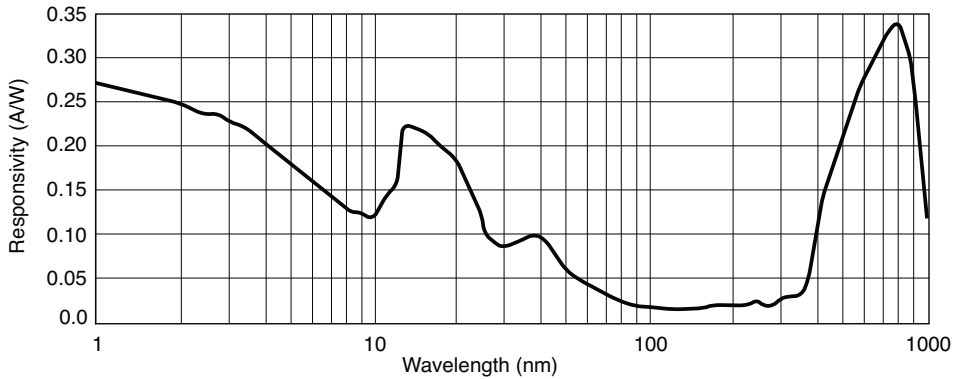
Parameters	Test Conditions	Min	Typ	Max	Units
Active Area	Per Quadrant		1.25		mm <sup>2</sup>
Responsivity	@ 254 nm		0.02		A/W
Dark Current, I <sub>dr</sub>	V <sub>R</sub> = ± 18 V		1	100	nA
Reverse Breakdown Voltage, V <sub>R</sub>	I <sub>R</sub> = 1 µA	20			Volts
Capacitance, C	V <sub>R</sub> = 0 V		100	300	pF
Response Time, t <sub>r</sub>	V <sub>R</sub> = 0 V		1		µsec
Shunt Resistance	V <sub>f</sub> = ± 10 mV	100			MOhms

**Thermal Parameters**

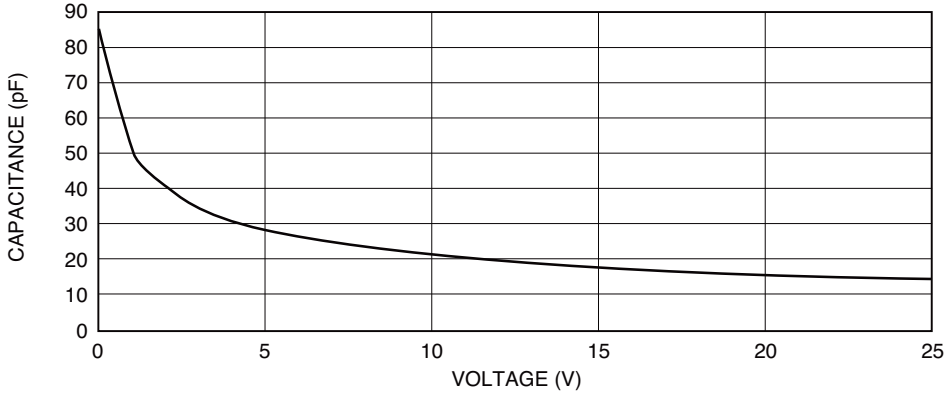
Storage and Operating Temperature Range	Units
Ambient	-10°C to 40°C
Nitrogen or Vacuum	-20°C to 80°C
Lead Soldering Temperature <sup>1</sup>	260°C

<sup>1</sup> 0.08" from case for 10 seconds.

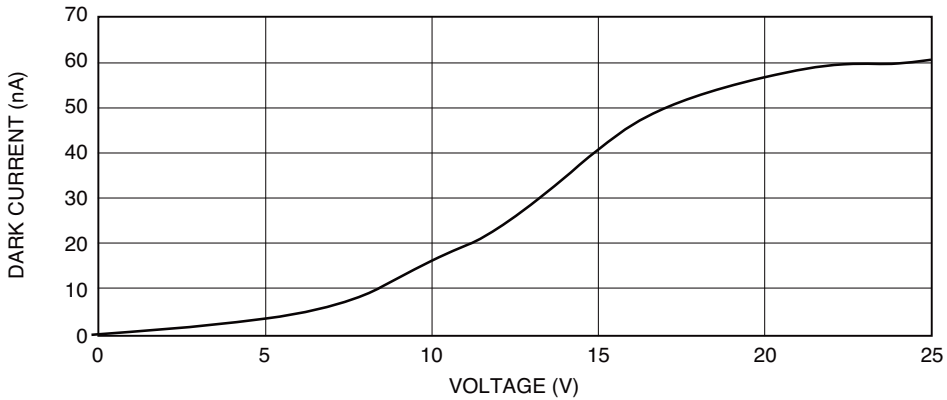
**Typical Photon Responsivity**



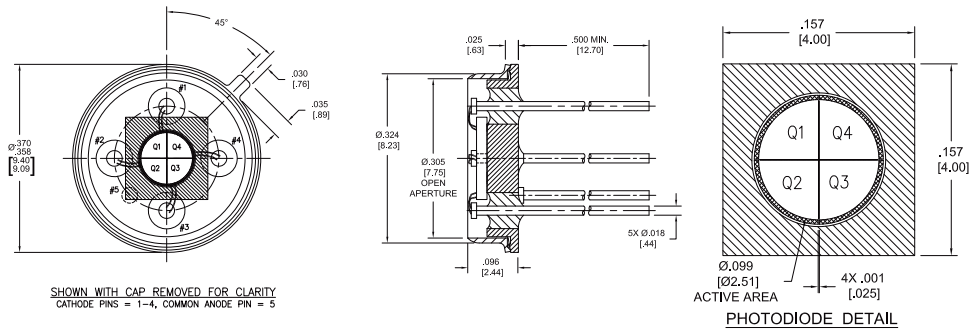
**Capacitance vs. Voltage**



**Dark Current vs. Voltage**



**Package Information**



Dimensions are in inches [metric] units.

Specifications are subject to change without prior notice.